

1

2

3

4

5

6

7

8

A

A

# INSTRUMENT HOOK-UP DRAWING

B

B

C

C

D

D

E

E

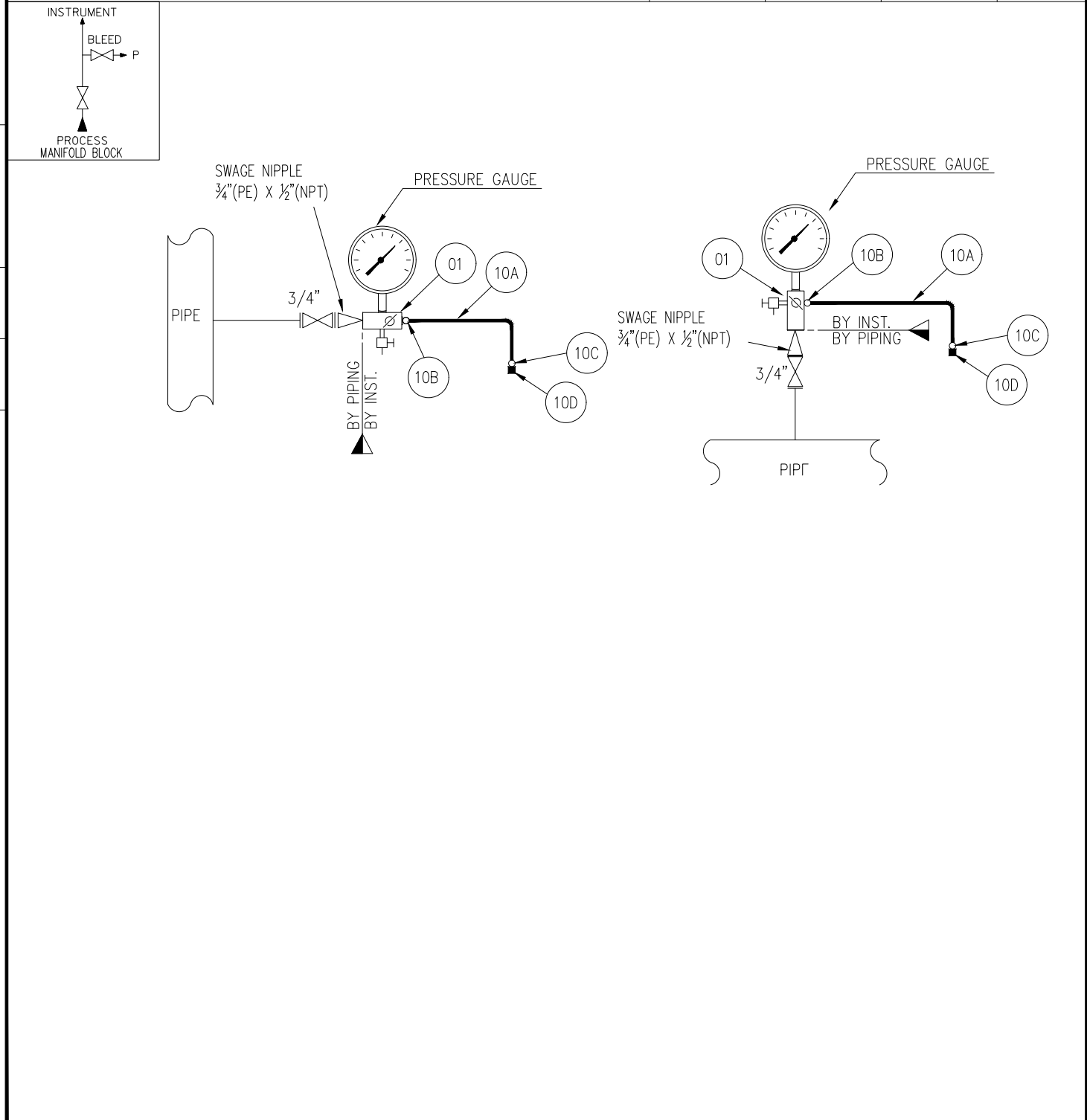
F

F

7

8

	SERVICE / LOCATION	TAG NO.			CLASS
		K-059-02A	K-059-02B	K-059-02C	
A	Disch. Of CW Pump-1 K-059-02ABC-G2A	059-PG-4187	-	-	12CB2S02
	Disch. Of CW Pump-2 K-059-02ABC-G2B	059-PG-4188	-	-	12CB2S02
	CW SUPPLY HEADER TO CYLINDER UNIT ABC	059-PG-4185	-	-	12CB2S02
	CW SUPPLY HEADER TO PACKING UNIT ABC	059-PG-4186	-	-	1SA1B05
	C.W SUPPLY TO CW HEAT EXCHANGER K-059-02ABC-E2A	059-PG-4189	-	-	12CB2S02
B	C.W RETURN FROM CW HEAT EXCHANGER K-059-02ABC-E2A	059-PG-4190	-	-	12CB2S02
	C.W SUPPLY TO CW HEAT EXCHANGER K-059-02ABC-E2B	059-PG-4191	-	-	12CB2S02
	C.W RETURN FROM CW HEAT EXCHANGER K-059-02ABC-E2B	059-PG-4192	-	-	12CB2S02
	AUX. LUBE OIL PUMP OUTLET K-059-02A/B/C-G1B	059-PG-4193	059-PG-4293	059-PG-4393	1SA1B05
	MAIN LUBE OIL PUMP OUTLET	059-PG-4194	059-PG-4294	059-PG-4394	1SA1B05
C	LUBE OIL COOLER C.W SUPPLY K-059-02A/B/C-E1A	059-PG-4195	059-PG-4295	059-PG-4395	12CB2S02
	LUBE OIL COOLER C.W RETURN K-059-02A/B/C-E1A	059-PG-4196	059-PG-4296	059-PG-4396	12CB2S02
	LUBE OIL COOLER C.W SUPPLY K-059-02A/B/C-E1B	059-PG-4197	059-PG-4297	059-PG-4397	12CB2S02
	LUBE OIL COOLER C.W RETURN K-059-02A/B/C-E1B	059-PG-4198	059-PG-4298	059-PG-4398	12CB2S02

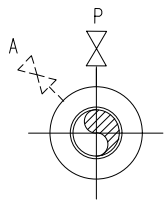


SERVICE / LOCATION

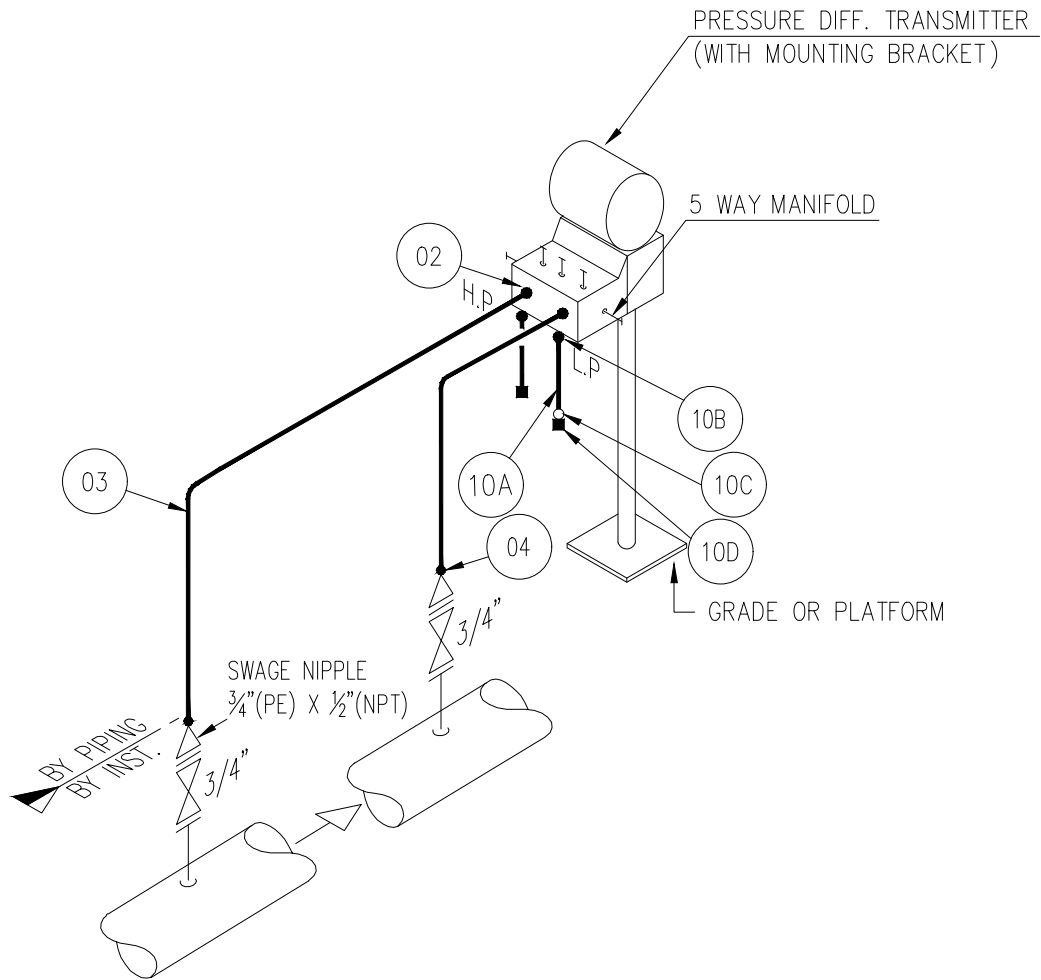
TAG NO.

CLASS

A	CW SUPPLY HEADER TO PACKING UNIT ACROSS FILTER	059-PDT-4188	-	-	12CB2S02
	ACROSS OIL FILTER K-059-02A/B/C-E1AB	059-PDT-4187	059-PDT-4287	059-PDT-4387	1SA1B05



NOZZLE ORIENTATION  
 A : ALTERNATIVE  
 P : PREFERRED



SERVICE / LOCATION	TAG NO.			CLASS
	K-059-02A	K-059-02B	K-059-02C	
COOLING WATER TANK K-059-02ABC-D2A	059-LG-4185	-	-	12CB2S02

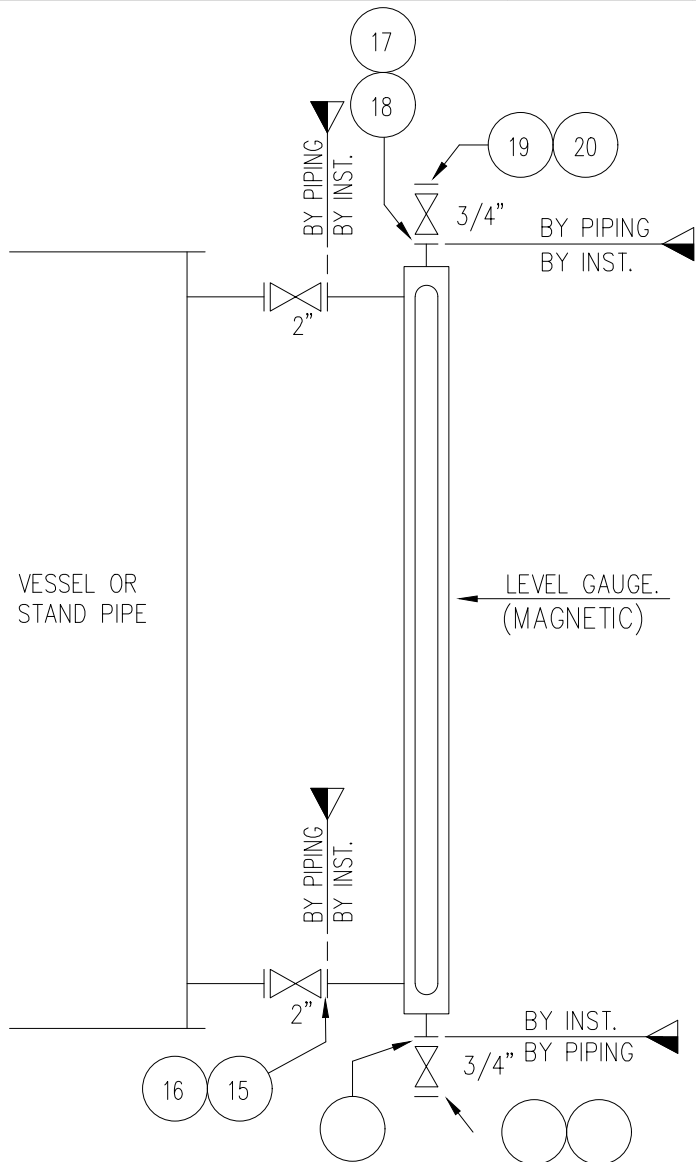
B

C

D

E

F



B

C

D

E

F

1

2

3

4

5

6

7

8

SERVICE / LOCATION

TAG NO.

CLASS

K-059-02A

K-059-02B

K-059-02C

COOLING WATER TANK K-059-02ABC-D2A

059-LT-4186

-

-

12CB2S02

A

A

B

B

C

C

D

D

E

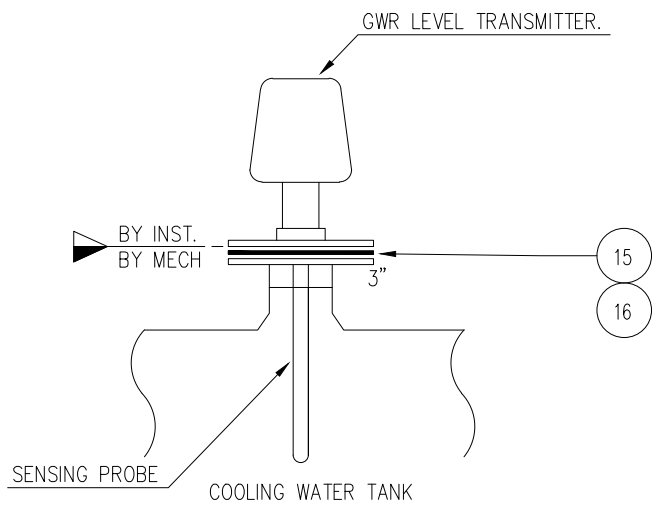
E

F

F

G

G

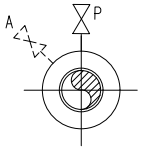


SERVICE / LOCATION

TAG NO.

CLASS

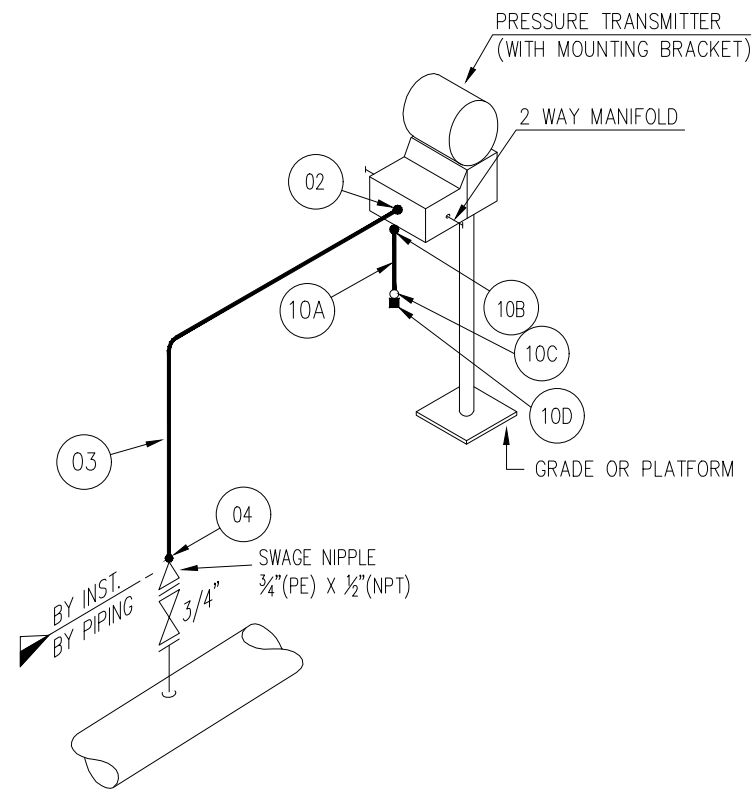
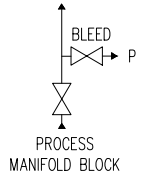
	TAG NO.			CLASS
	K-059-02A	K-059-02B	K-059-02C	
A CW SUPPLY HEADER TO CYL. JACKET UNIT	059-PT-4185	-	-	12CB2S02
A CW SUPPLY HEADER TO COMP. PACKING UNIT	059-PT-4187	-	-	1SA1B05



NOZZLE ORIENTATION  
A : ALTERNATIVE  
P : PREFERRED

NON-UOP LICENSOR

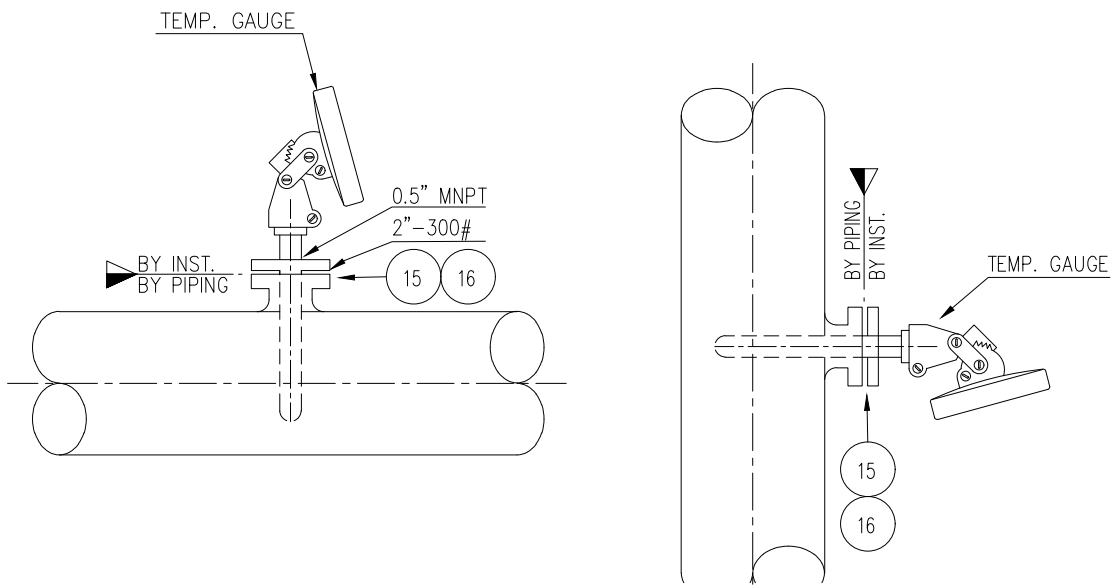
INSTRUMENT



B  
A  
C  
B  
D  
C  
E  
F  
G

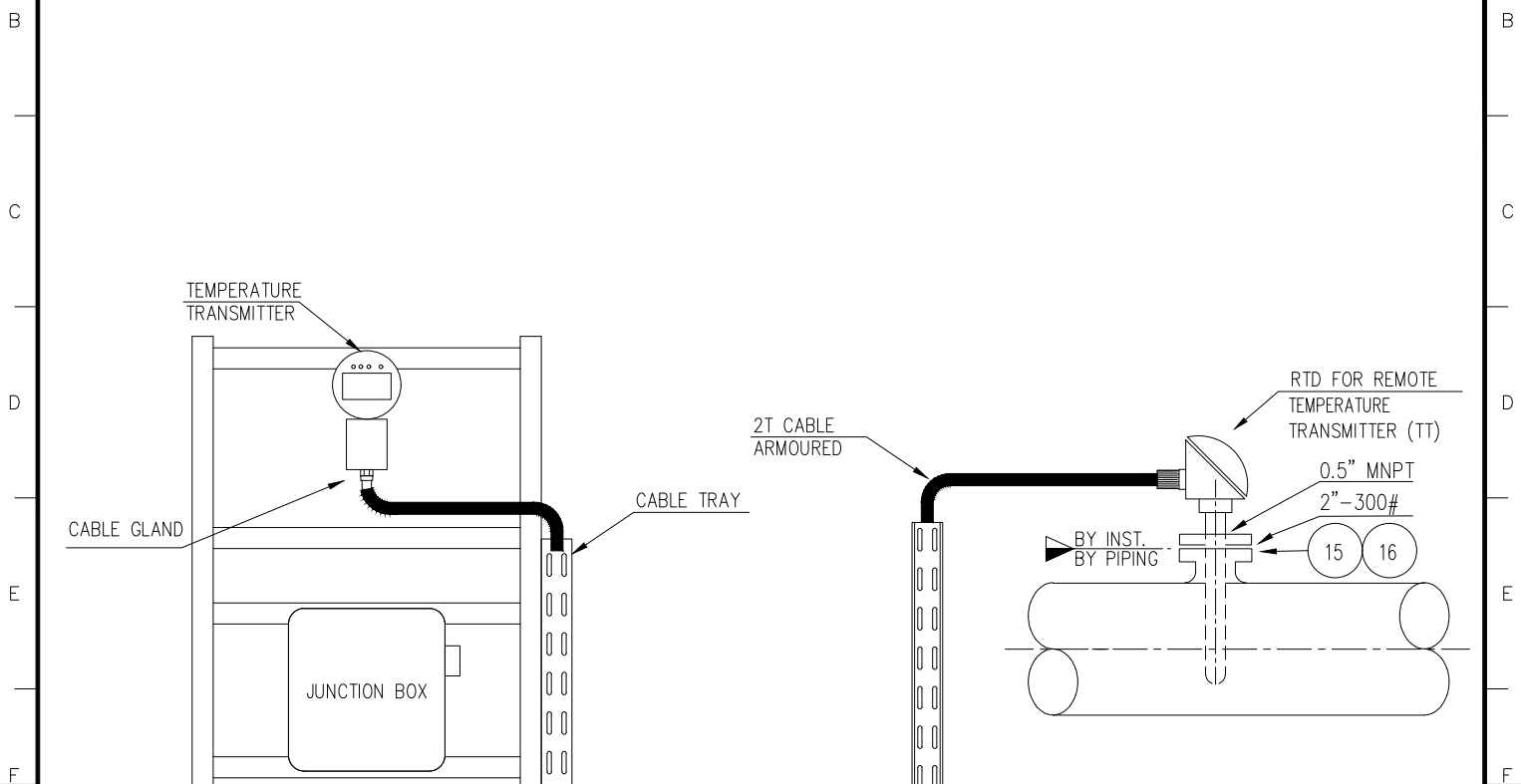
B  
A  
C  
B  
D  
C  
E  
F  
G

	SERVICE / LOCATION	TAG NO.			CLASS
		K-059-02A	K-059-02B	K-059-02C	
A	Disch. Of CW Pump-1/2 K-059-02ABC-G2A/G2B	059-TG-4187	-	-	12CB2S02
	COOLING WATER TANK K-059-02ABC-D2A	059-TG-4186	-	-	12CB2S02
	C.W RETURN FROM CW HEAT EXCHANGER K-059-02ABC-E2A	059-TG-4188	-	-	12CB2S02
	C.W RETURN FROM CW HEAT EXCHANGER K-059-02ABC-E2B	059-TG-4189	-	-	12CB2S02
	DISCHARGE OF CW HEAT EXCHANGER K-059-02ABC-E2A/E2B	059-TG-4185	-	-	12CB2S02
B	CW SUPPLY TO COMP. CYLINDER & PACKING UNIT	059-TG-4190	-	-	12CB2S02
	AUX. LUBE OIL PUMP OUTLET K-059-02A/B/C-G1B	059-TG-4191	059-TG-4291	059-TG-4391	1SA1B05
	LUBE OIL COOLER OUTLET K-059-02A/B/C-E1A/B	059-TG-4193	059-TG-4293	059-TG-4393	1SA1B05
	LUBE OIL COOLER C.W RETURN K-059-02A/B/C-E1A	059-TG-4194	059-TG-4294	059-TG-4394	12CB2S02
	LUBE OIL COOLER C.W RETURN K-059-02A/B/C-E1B	059-TG-4195	059-TG-4295	059-TG-4395	12CB2S02



1      2      3      4      5      6      7      8

SERVICE / LOCATION	TAG NO.			CLASS
	K-059-02A	K-059-02B	K-059-02C	
CW SUPPLY TO COMP. CYLINDER & PACKING UNIT	059-TE-4185	-	-	12CB2S02
LO COOLER OUTLET K-059-02A/B/C-E1A/B (MOUNTED ON STANCHION)	059-TE-4186	059-TE-4286	059-TE-4386	1SA1B05



TEMPERATURE TRANSMITTER

CABLE GLAND

JUNCTION BOX

CABLE TRAY

2T CABLE ARMoured

RTD FOR REMOTE TEMPERATURE TRANSMITTER (TT)

0.5" MNPT  
2"-300#

BY INST.  
BY PIPING

15    16



1

2

3

4

5

6

7

8

SERVICE / LOCATION

TAG NO.

CLASS

K-059-02A

K-059-02B

K-059-02C

LUBE OIL PUMP DISCHARGE TO COMP. FRAME

059-PCV-4185

059-PCV-4285

059-PCV-4385

1SA1B05

A

A

B

B

C

C

D

D

E

E

F

F

